

S1[®] AIRDATA™ MULTITEMP MT-440K

MULTIPOINT TEMPERATURE TEST KIT



FAST AND ACCURATE MULTIPOINT TEMPERATURES

The AirData MultiTemp is the ideal solution to the problems encountered in thermal performance testing of air conditioning systems, cooling towers, heat exchangers, and energy recovery systems. The MT-440K MultiTemp may be used with any of the AirData Multimeter and HydroData Multimeter models to measure temperatures at up to eight separate points in rapid sequence.

Speed is essential to accurate analysis of total heat transfer under changing load conditions. Temperatures in many systems are often changing continuously, or the test may be catching the load "on the fly" at less than full load. After the probes have settled in, a full set of eight readings requires about 15 seconds. Additional points may be measured in the same sequence by using more than one MultiTemp switch unit connected in series (piggybacking). Reading and memory entry of 64 temperature points would require about two minutes.

The insertion probes used with the MultiTemp may be used in any liquid or gas compatible with stainless steel. Typical uses include: wet or dry bulb air temperatures; thermometer wells; "Pete's" plugs; or direct immersion.

Some applications include humidity control systems; direct expansion A/C systems; outside air adjustment; hot water heating; chilled water; condenser water; and many other circulating process liquid systems.

The surface probes may be used to measure pipeline surface temperatures when piping systems do not have thermometer wells. These probes may also be used as fast acting air probes.

The ADT443, ADT444, and ADT445 TemProbes have mini-plug connectors for use with the MultiTemp. The ADT442 and ADT446 TemProbes have 3-pin female connectors for use with the AirData Multimeter and HydroData Multimeter. Pin adapters are available to allow any of the TemProbes to be used with either the MultiTemp or the Multimeters.

TEMPERATURE PROBE SPECIFICATIONS

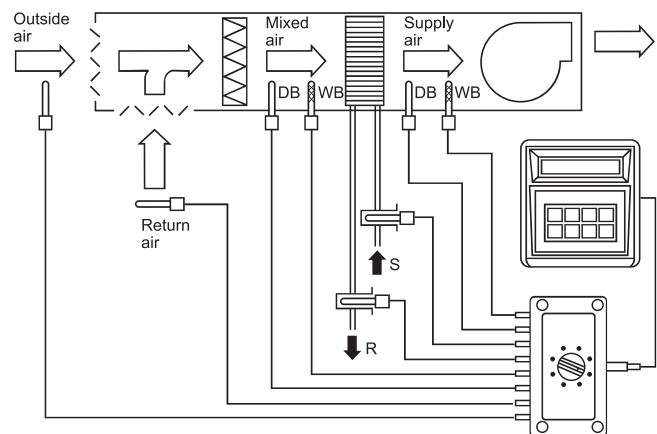
Resolution is 0.1°F.

Operating range of the ADT446 is -20°F to 180°F.

Operating range of all other probes is -67°F to 250°F.

Accuracy is +/- 0.5°F between 32°F and 158°F.

Specifications are subject to change without notice.



Typical A/C system testing application

MULTITEMP KIT AND RELATED PROBES AND ACCESSORIES

MT-440K	AirData MultiTemp kit complete with MT-440 eight-position switch unit, six ADT443 insertion probes, two ADT444 surface probes, and padded carrying case.	\$795.00
MT-440	MultiTemp switch unit with eight input jacks (for mini-plugs) and one 3' output cord and plug.	\$145.00
ADT443	Insertion temperature probe, 1/8" diameter x 4" long, with 12' cord and mini-plug	\$125.00
ADT444	Surface temperature probe, 3/16" diameter x 1/8" thick, with 12' cord and mini-plug	\$ 95.00
ADT445	Insertion temperature probe, 1/8" diameter x 12" long, with 12' cord and mini-plug	\$125.00
XT445	12' cable extender for ADT443, ADT444, and ADT445 probes	\$ 30.00
AP446	Adapter plug with 12' cord to connect ADT442 and ADT446 probes to MultiTemp	\$ 40.00
PA447	Plug adapter with 3' cord to "piggyback" one MultiTemp onto another MultiTemp to expand reading input capacity to 15 or more sensing points.	\$ 25.00

OPTIONAL PROBES FOR AIRDATA MULTIMETERS THAT MAY BE ADAPTED FOR USE WITH MULTITEMP

ADT442	Insertion temperature probe, 1/8" diameter x 4" long, 3-pin female connector	\$125.00
ADT446	Insertion temperature probe, 1/16" diameter x 4" long, 3-pin female connector	\$125.00
TEW19	Temperature extension wand, 19" long	\$ 50.00
TRC16	Temperature retractile cord, 1' to 6' long	\$ 50.00
PA448	Plug adapter allows mini-plug probes to connect to AirData and HydroData Multimeters	\$ 25.00

Shortridge Instruments, Inc.

7855 East Redfield Road • Scottsdale, Arizona 85260

Phone (480)991-6744 • Fax (480)443-1267 • www.shortridge.com